

12" Character Size Aerial Surveillance Markers

MARKERS TWO COLOR INJECTION MOLDED

MATERIAL

High impact polypropylene with excellent cold impact resistance. UV stabilizers and antioxidants added to provide complete protection and weather resistance in all climates.

*SEE LIST ON
REVERSE FOR
STOCK SYMBOLS*

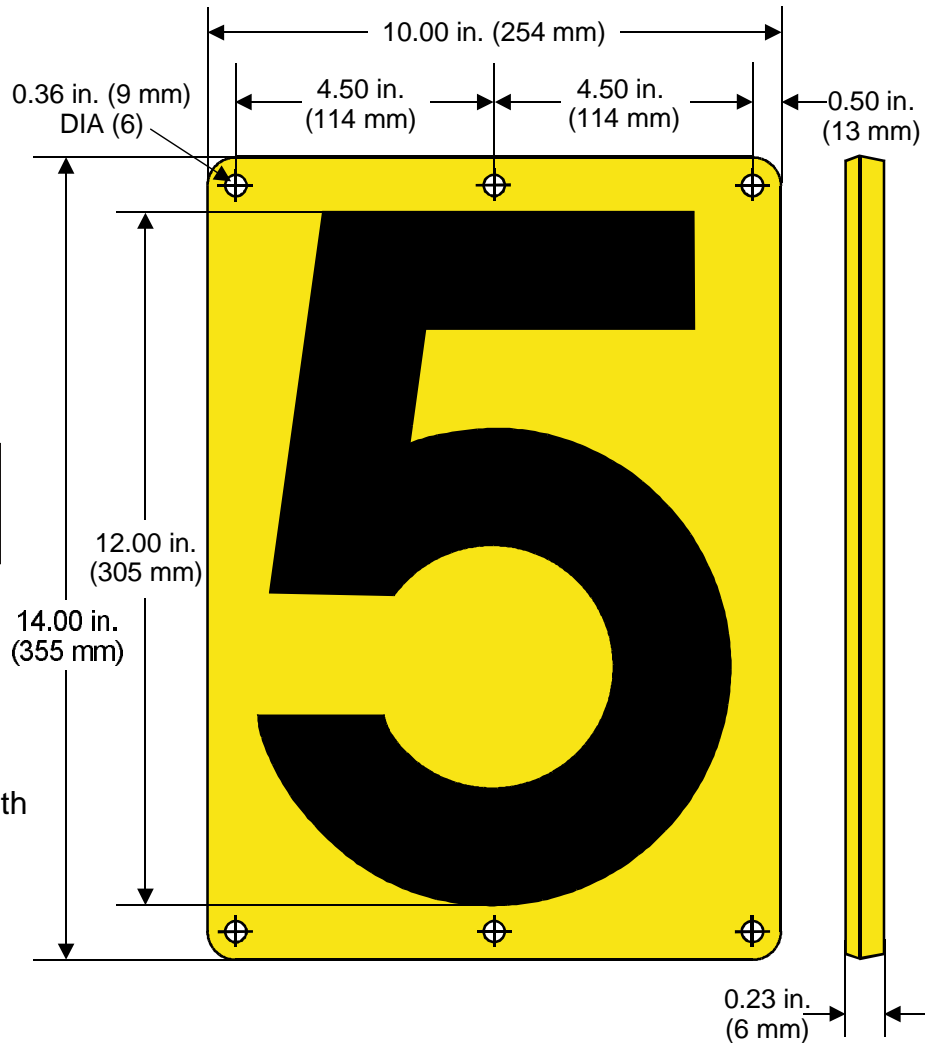
ITEM CODE

EL12XXxxx

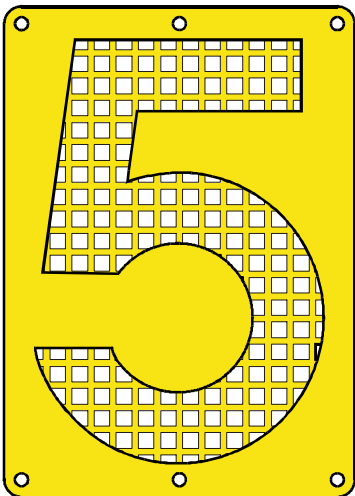
- X=Y for Yellow background (standard)
- X=K for Black copy (standard)
- X=O for Orange background
- xxx=Copy code (see list on reverse)

SPECIFY AS

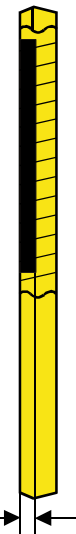
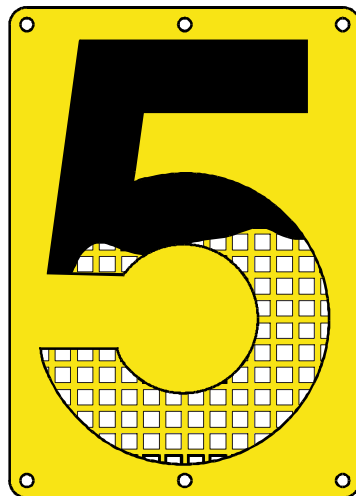
10.00 in. x 14.00 in. x 0.23 in. Markers with injection molded characters integral with locking grids. Color additives and U.V. Stabilizers molded throughout the part. Both copy and background have a minimum thickness of 0.090 inches.



First Shot



Second Shot Molding Process



Second shot resin locks with the first shot grid. Both background and characters have a minimum thickness of 0.090 in. (2.3 mm)

0.090 in.
(2.3 mm)
Thick
Characters

TECH
PRODUCTS, INC.

Tel: (800) 221-1311 or (718) 442-4900 or Fax: (718) 442-2124

e-mail: team@techproducts.com

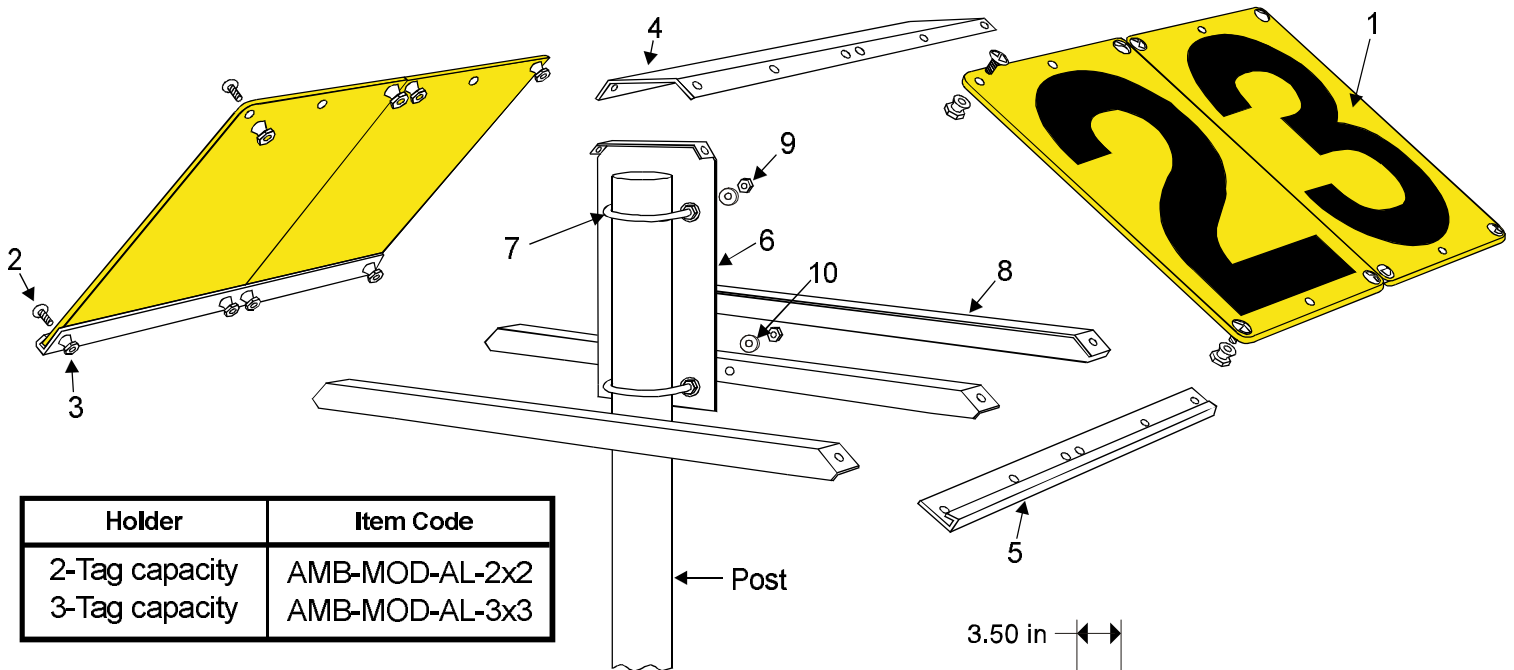
Visit us at: www.techproducts.com

SPEC12EVL
09/04

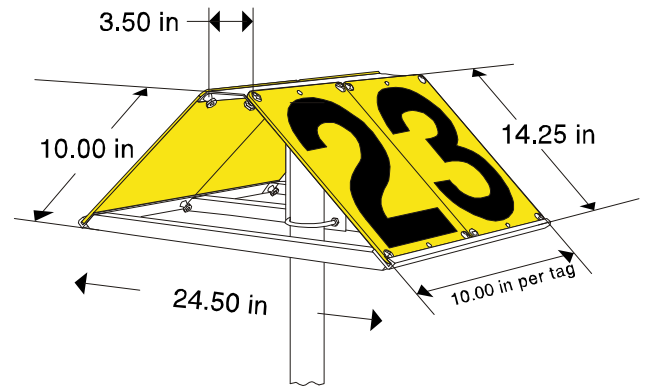
Item Codes for 12" Character Size **EVERLAST**® Markers

Copy	Item Code	Copy	Item Code	Copy	Item Code	Copy	Item Code
1	EL12XX001	A	EL12XXA	K	EL12XXK	U	EL12XXU
2	EL12XX002	B	EL12XXB	L	EL12XXL	V	EL12XXV
3	EL12XX003	C	EL12XXC	M	EL12XXM	W	EL12XXW
4	EL12XX004	D	EL12XXD	N	EL12XXN	X	EL12XXX
5	EL12XX005	E	EL12XXE	O	see 0	Y	EL12XXY
6	EL12XX006	F	EL12XXF	P	EL12XXP	Z	EL12XXZ
7	EL12XX007	G	EL12XXG	Q	EL12XXQ	(Blank)	EL12XX011
8	EL12XX008	H	EL12XXH	R	EL12XXR	-	EL12XX012
9	see 6	I	EL12XXI	S	EL12XS	/	EL12XX013
0	EL12XX010	J	EL12XXJ	T	EL1XXT	∅	EL12XX014

EVERLAST® A-Frame parts list and assembly.



1. 12 in. Character size **EVERLAST** tags.
2. Vandal proof, one way bolt (4 per tag needed).
3. Vandal proof, break off nut (4 per tag needed).
4. Top bracket (length 10 in. X quantity of tags - 1 per set).
5. Bottom rail (length: 10 in. X quantity of tags - 2 per set).
6. Mounting bracket (1 per set).
7. Mounting clamps (size depends on type of post - 2 per set).
8. Cross bars (3 per set).
9. Nuts for mounting clamp (8 per set).
10. Washers for mounting clamp (8 per set).



TECH
PRODUCTS, INC.

Tel: (800) 221-1311 or (718) 442-4900 or Fax: (718) 442-2124

e-mail: team@techproducts.com

Visit us at: www.techproducts.com

SPEC12EVL
09/04