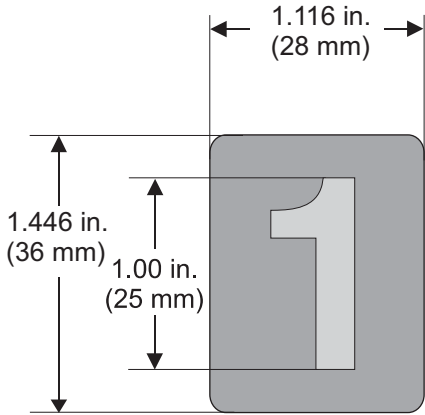
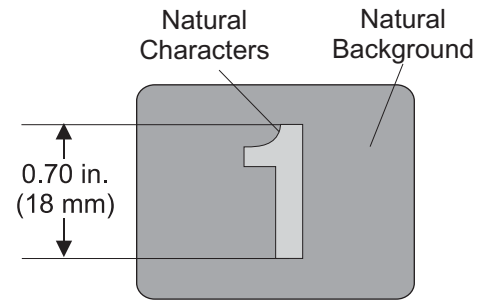
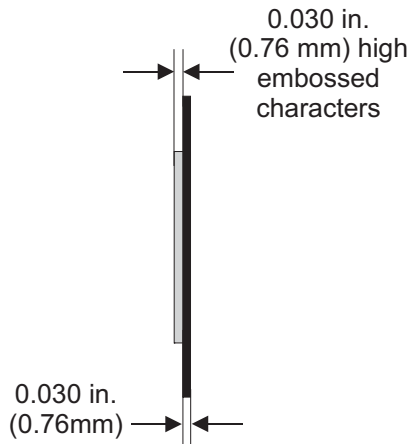


EMBOSSED STAINLESS STEEL TAGS



For horizontally oriented mounting
Item **SI1SS01**



For vertically oriented mounting
Item **SI1VSS01**

ITEM CODE

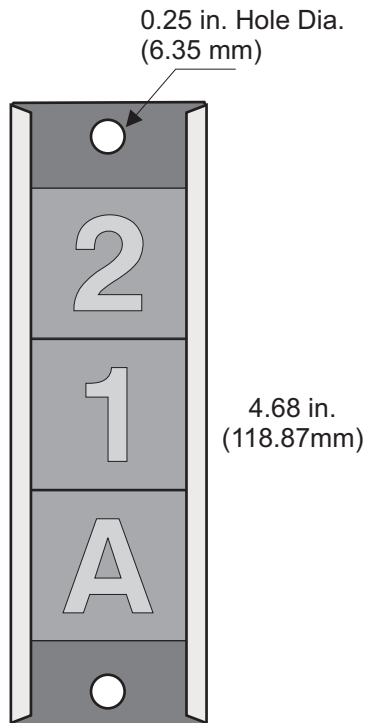
SI1SSxx or SI1VSSxx

V=Vertically oriented mounting

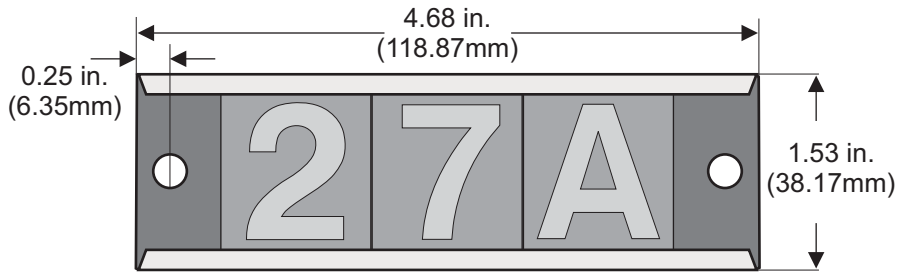
Natural background with embossed natural character
xx=Copy code

MATERIAL

0.030 in. Thick stainless steel 304.
Natural raised copy on natural background



Vertically oriented



Horizontally oriented

STAINLESS STEEL TAG HOLDER

CH1SSxx(xx=tag capacity)

For marking poles, pedestals, switch cabinets, transformers, etc.
Both horizontally and vertically using nails, screws, rivets.
Crimp channel ends to retain tags in holder.

MATERIAL

0.020 in. Thick stainless steel 304.



Tel: (800) 221-1311 or (718) 442-4900 or Fax: (718) 442-2124

e-mail: team@techproducts.com

Visit us at: www.techproducts.com

SPECESTAG
12/07