

# 6 in. Character Size Identification Tags

## POLY TAGS TWO COLOR INJECTION MOLDED

### MATERIAL

High impact polyolefin with excellent cold impact resistance. UV stabilizers and antioxidants added to provide complete protection and weather resistance in all climates.

**SEE LIST ON  
REVERSE FOR  
STOCK SYMBOLS**

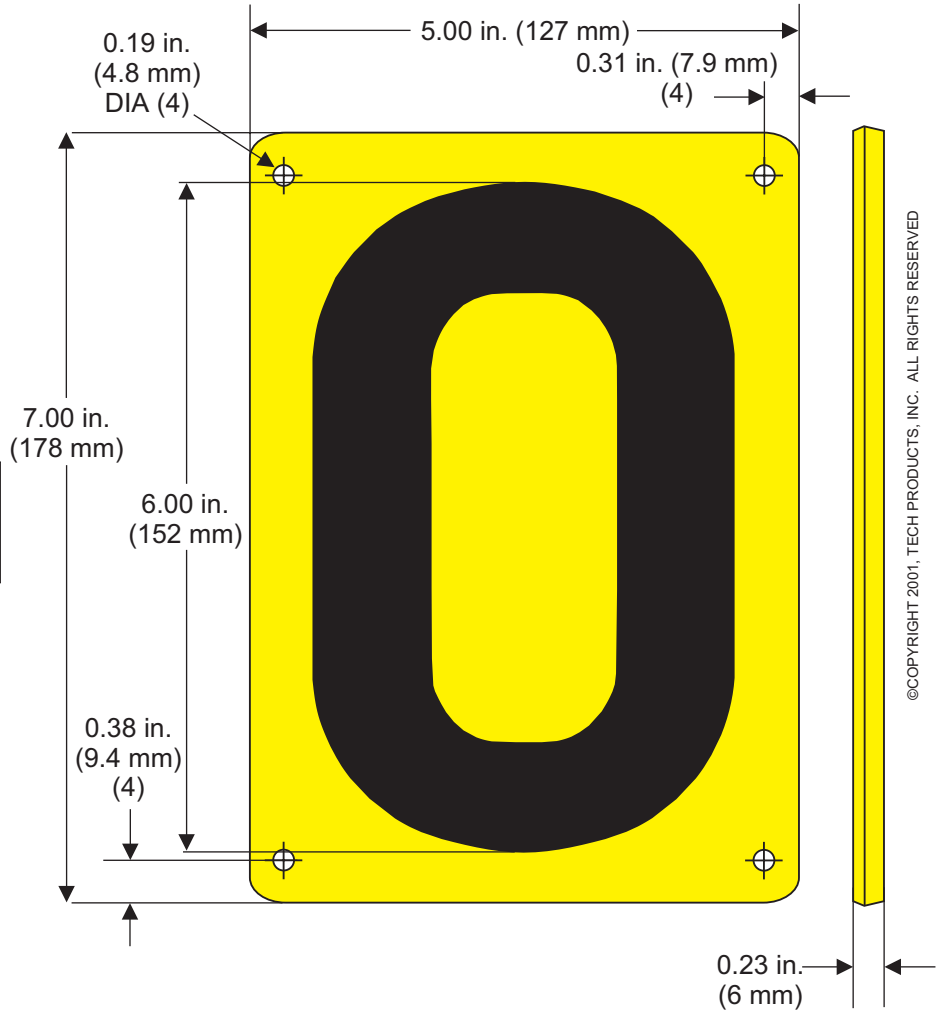
### ITEM CODE

**EL6XXxxx**

X=Y for Yellow background (standard)  
X=K for Black copy (standard)  
X=O for Orange background  
xxx=Copy code (see list on reverse)

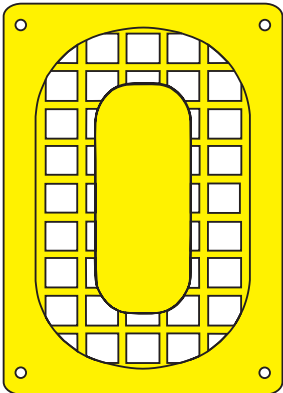
### SPECIFY AS

5 in. x 7 in. x 0.23 in. thick tags with injection molded characters integral with locking grids. Color additives and UV stabilizers molded throughout the tags. Both copy and background have a minimum thickness of 0.090 in. (2.3 mm)



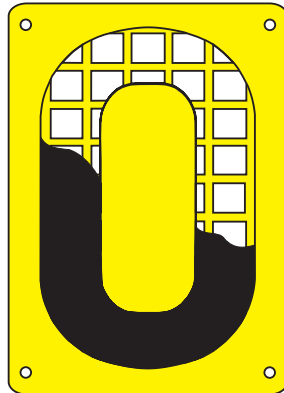
© COPYRIGHT 2001, TECH PRODUCTS, INC. ALL RIGHTS RESERVED

### First Shot

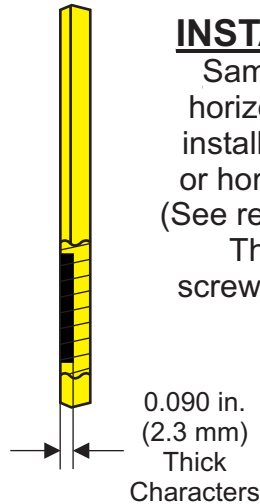


Character molded on locking grids.

### Second Shot Molding Process



Second shot resin locks with the first shot grid. Both background and characters have a minimum thickness of 0.090 in. (2.3 mm)



### INSTALLATION GUIDELINES

Same tags can be used for both horizontally and vertically oriented installations by using either vertical or horizontal aluminum tag holders. (See reverse for holder specifications)

The tags can also be nailed, screwed or riveted without a holder.

**TECH**  
PRODUCTS, INC.

Tel: (800) 221-1311 or (718) 442-4900 or Fax: (718) 442-2124

e-mail: [team@techproducts.com](mailto:team@techproducts.com)

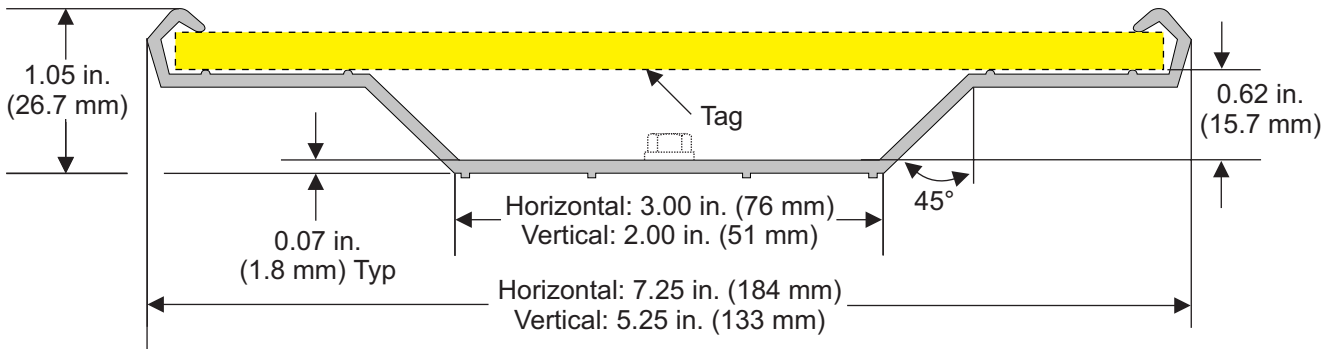
Visit us at: [www.techproducts.com](http://www.techproducts.com)

SPEC6EVL  
09/04

# Aluminum Tag Holders

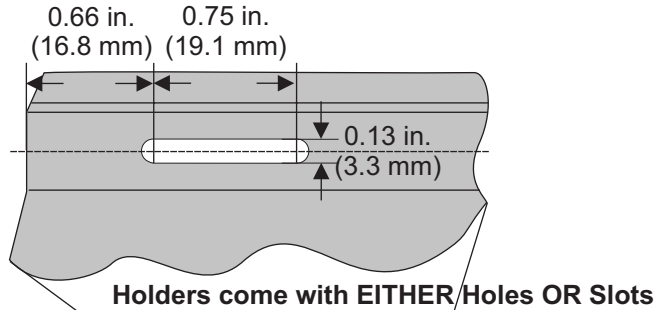
## for 6 in. Character Size Poly Tags

### Horizontal and Vertical Orientation



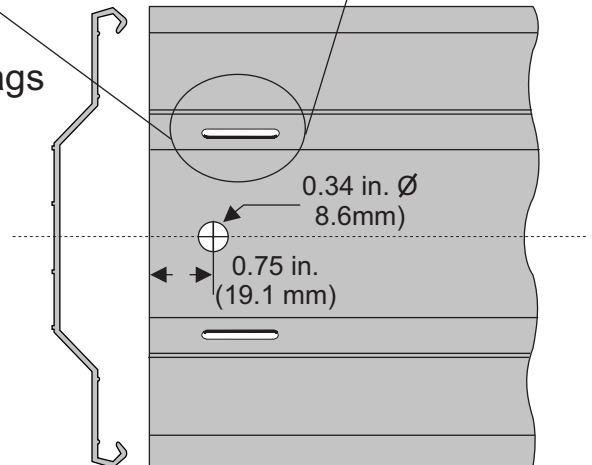
**Material:**  
Aluminum 6063T5

The holders can be attached using nails, screws, bolts, rivets, magnets, metal banding, etc. Standard slot and hole configurations are shown. Custom hole and/or slot configurations can be made to customer's specifications.



### Item Codes for 6 in. Character Size **EVERLAST**® Tags

Copy	Item Code	Copy	Item Code	Copy	Item Code	Copy	Item Code
1	EL6XX001	A	EL6XXA	K	EL6XXK	U	EL6XXU
2	EL6XX002	B	EL6XXB	L	EL6XXL	V	EL6XXV
3	EL6XX003	C	EL6XXC	M	EL6XXM	W	EL6XXW
4	EL6XX004	D	EL6XXD	N	EL6XXN	X	EL6XXX
5	EL6XX005	E	EL6XXE	O	see 0	Y	EL6XXY
6	EL6XX006	F	EL6XXF	P	EL6XXP	Z	EL6XXZ
7	EL6XX007	G	EL6XXG	Q	EL6XXQ	(Blank)	EL6XX011
8	EL6XX008	H	EL6XXH	R	EL6XXR	-	EL6XX012
9	same as 6	I	EL6XXI	S	EL6XXS	/	EL6X013
0	EL6XX010	J	EL6XXJ	T	EL6XXT	∅	EL6XX014



Same configuration on both ends

### Item Codes for 6 in. Tag Holders VERTICAL Orientation

Cap	Item Codes		Length (in.)	Length (mm)
	Holes	Slots		
1 tag	AHE601VP-H	AVE601VP-S	9.0	229
2 tags	AHE602VP-H	AVE602VP-S	16.0	406
3 tags	AHE603VP-H	AVE603VP-S	23.0	584
4 tags	AHE604VP-H	AVE604VP-S	30.0	762
5 tags	AHE605VP-H	AVE605VP-S	37.0	940
6 tags	AHE606VP-H	AVE606VP-S	44.0	1,118
7 tags	AHE607VP-H	AVE607VP-S	51.0	1,295
8 tags	AHE608VP-H	AVE608VP-S	58.0	1,473
9 tags	AHE609VP-H	AVE609VP-S	65.0	1,651

### Item Codes for 6 in. Tag Holders HORIZONTAL Orientation

Cap	Item Codes		Length (in.)	Length (mm)
	Holes	Slots		
1 tag	AHE601HP-H	AVE601HP-S	7.0	178
2 tags	AHE602HP-H	AVE602HP-S	12.0	305
3 tags	AHE603HP-H	AVE603HP-S	17.0	432
4 tags	AHE604HP-H	AVE604HP-S	22.0	559
5 tags	AHE605HP-H	AVE605HP-S	27.0	686
6 tags	AHE606HP-H	AVE606HP-S	32.0	813
7 tags	AHE607HP-H	AVE607HP-S	37.0	940
8 tags	AHE608HP-H	AVE608HP-S	42.0	1,067
9 tags	AHE609HP-H	AVE609HP-S	47.0	1,194